

Smart-Sight

The series offers a range of AI Cameras for diverse surveillance needs. Every camera delivers superior performance and accuracy with advanced technology and purposeful design. Each component is chosen for seamless integration and optimal functionality. Whether it's fixed or motorized lenses, License Plate Recognition, or Thermal cameras, The Smart-Sight series is for you.



I4-340AD-MVF

40m IR 4MP Active Deterrence Motorized Lens Medium Bullet Camera

Active deterrence cameras are designed to deter unwanted visitors by activating visual and audio alerts. Equipped with a 2.8-12mm motorized lens, this 4MP Bullet camera is intended for medium-distance surveillance (up to 40m) in indoor and outdoor scenarios. The camera offers outstanding DDA Analytics (Detect, Distinguish, Alert), which can perform object recognition. With various detection rules and triggers, the I4-340AD-MVF camera will let unwanted visitors know that their presence is known and being monitored.



 1/3 Sensor family	 2.8-12 mm Lens	 40m IR IR View 0 Lux	 PoE	 WDR True
 Audio IN	 IP66 Protection rating	 Alarm IN/OUT		

 PIXEL-BASED ANALYTICS	 IR NIGHT VISION	 FACE DETECTION
 NDAA	 MOTORIZED LENS	 ONVIF S/G

MAIN FEATURES

- I4-340AD-MVF
- Sensor: 1/3" CMOS (16:9)
- Resolution: 2592×1520 25/30FPS (4MP)
- Lens: 2.8-12mm MVF with Auto Focus (94.2°-29.8°)
- True Day&Night – ICR
- Illumination: 40m (2 High-Power IR LED) + Red/Blue Strobe light
- Compression: H.265+ / H.264+ / H.265 / H.264 / MJPEG
- Object Detection (Sterile Area, Line Crossing), Camera Tampering
- True WDR (120dB), BLC, HLC, ROI
- SD Card: Event/Schedule Record (Up to 256Gb)
- Alarm in + Alarm out
- Built-in speaker + Audio Input
- ONVIF: Profile S/G
- Water Proof: IP66
- Weight: ~650g
- Power: DC12V/~780mA / PoE/~7.4W



<https://provision-isr.com>

SPECIFICATIONS

3rd Party Cyber Protection	
General	N/A
Protection Methods	N/A
NDAA Compliant	
NDAA Compliant	No
Video	
Image Sensor	1/3" CMOS (16:9)
Effective Pixels	2592×1520
Electronic Shutter	1/25s ~ 1/100000s
Day & Night	ICR
Min. Illumination	Day: 0.1lux / Night: 0.005lux (@F1.6, AGC on) 0lux with IR on
Audio	
Audio compression	G.711A/G.711U
Communication	Two-way Audio
Image	
Image Settings	AWB, AGC Adjustable, Exposure Mode (Auto) Sharpness, Saturation, Brightness & Contrast Adjustable
Image Enhancement	True WDR (120dB), BLC, HLC, ROI
Noise Reduction	3D-DNR
Image Orientation	Mirror/Flip
Privacy Zone	Yes
Events and Analytics	
Analytics	Object Detection (Sterile Area, Line Crossing), Camera Tampering
Motion Detection	Yes
Compression	
Resolution	4MP / 2K / 3MP / 2MP / 1MP / D1 / QVGA / CIF / QCIF

Frame Rate	1-25/30FPS In Normal Mode. 1-50/60FPS in HFR Mode*
Video Compression	H.265+/ H.264+ / H.265 / H.264 / MJPEG**
Multi-Stream	Master Stream: 4MP(2592x1520) / 2K (2560x1440) / 3MP / 2MP / 1MP Substream: 1MP / D1 / CIF / QCIF Third Stream: D1 / CIF / QCIF (1~30fps)
Bit Rate	64Kbps ~ 7Mbps@H.265 / 64Kbps ~ 8Mbps@H.264
Encode Mode	VBR/CBR
Image Quality	Five levels under VBR; Free adjustment under CBR

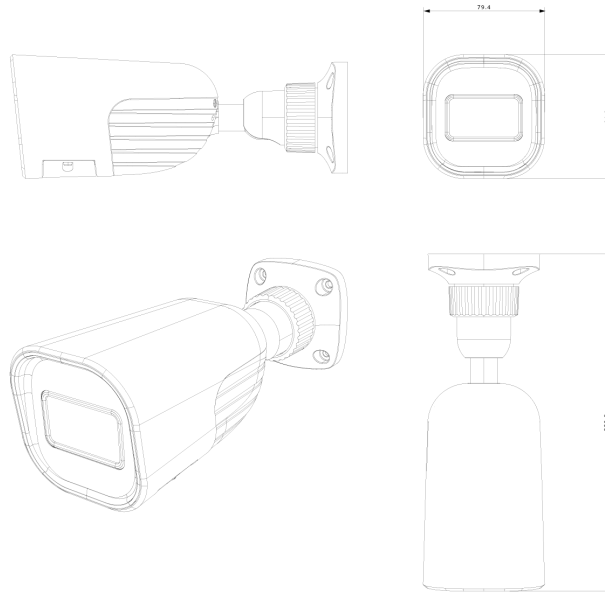
Lens	
Lens (Field of View)	2.8-12mm MVF with Auto Focus (94.2°-29.8°)
Iris	DC Iris
Lens Mount	Ø14 Mount
Detect	2.8~12mm(W) 59.66m(195.73ft) 2.8~12mm(T) 216.31m(709.67ft)
Recognize	2.8~12mm(W) 11.93m(39.14ft) 2.8~12mm(T) 43.26m(141.92ft)
Identify	2.8~12mm(W) 5.97m(19.58ft) 2.8~12mm(T) 21.63m(70.96ft)

Network	
User Access	Supports simultaneous monitoring of up to 10 users with multi-stream real-time transmission
Network Protocol	IPv4, IPv6, TCP, UDP, DHCP, NTP, DDNS, 802.1X, RTSP, Multicast, UPnP, Email, FTP, HTTPS, QoS, P2P
Remote Monitoring	IE Browsing (Plug-In required), Chrome/Edge/Safari/Firefox plug-in free browsing, Ossia VMS Software, Provision Cam2 Mobile App
Ethernet	100Mbps
ONVIF	Profile S/G

Connectivity	
Network	RJ45 (+PoE)
Audio Connectivity	Built-in speaker + Audio Input
Alarm	Alarm in + Alarm out
SD Card	Event/Schedule based Main/Substream recording (Up to 256Gb)

Wiegand	No
Power	DC Socket
Analog Video Output	No
Housing	
PoE	Yes
Illumination	40m (2 High-Power IR LED) Red/Blue Strobe light
Power Supply	DC12V/~780mA / PoE/~7.4W
Protection Rate	Water Proof: IP66
Work Environment	-30°C~60°C, 10%~90% Humidity
Bracket	3-Axis Bracket
Dimensions	220.8x79.4x81.2mm
Weight (gross)	~650g
Hard Reset Button	Yes

DIMENSIONS



ACCESSORIES

